



**Electrolux**  
PROFESSIONAL

**Modular Cooking Range Line  
thermaline 80 - Electric Warming  
Plate Top, 1 Side**

ITEM # \_\_\_\_\_

MODEL # \_\_\_\_\_

NAME # \_\_\_\_\_

SIS # \_\_\_\_\_

AIA # \_\_\_\_\_



**588096** Electric Warming Plate, 1-sided operated, 2/1  
**(MARBAAJOB0)** GN

**Main Features**

- THERMODUL connection system creates a seamless work top when units are connected to each other thus avoiding soil penetrating vital components and facilitating the removal of units in case of replacement or service.
- Metal knobs with embedded hygienic silicon "soft" grip for easier handling and cleaning. The special design of the controls prevent infiltration of liquids or soil into vital components.
- Fast deployment with full heating power immediately.
- The smooth glass-ceramic surface can be quickly and easily cleaned, thus providing maximum hygiene.
- Almost the entire surface of the ceramic plate can be used without "dead" spots.
- Pans can easily be moved from one area to another without lifting.
- All major components may be easily accessed from the front.
- Overheat protection via a temperature sensor that switches off part of the heating element in the event of over temperature. Temperature range from 30°C to 110°C.

**Construction**

- 2 mm top in 1.4301 (AISI 304).
- Unit constructed according to DIN 18860\_2 with 20 mm drop nose top and 70 mm recessed plinth.
- Flat surface construction with minimal hidden areas to easily clean all surfaces
- Internal frame for heavy duty sturdiness in 1.4301 (AISI 304).
- Unit constructed according to DIN 18860\_2 with 20 mm drop nose top.
- IPX5 water resistance certification.

**Optional Accessories**

- Scraper for cook tops PNC 910601
- Connecting rail kit, 800mm PNC 912500
- Portioning shelf, 1000mm width PNC 912528
- Portioning shelf, 1000mm width PNC 912558
- Folding shelf, 300x800mm PNC 912577
- Folding shelf, 400x800mm PNC 912578
- Fixed side shelf, 200x800mm PNC 912583
- Fixed side shelf, 300x800mm PNC 912584
- Fixed side shelf, 400x800mm PNC 912585
- Connecting rail kit: modular 80 PNC 912971   
(on the left) to ProThermetic tilting  
(on the right), ProThermetic  
stationary (on the left) to  
ProThermetic (on the right)
- Connecting rail kit: modular 80 PNC 912972   
(on the right) to ProThermetic  
tilting (on the left), ProThermetic  
stationary (on the right) to  
ProThermetic (on the left)
- Endrail kit, flush-fitting, left PNC 913109

**APPROVAL:** \_\_\_\_\_

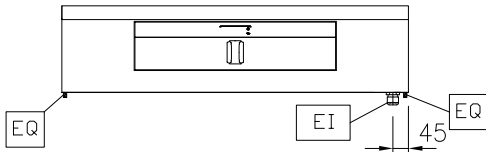


Experience the Excellence  
[www.electroluxprofessional.com](http://www.electroluxprofessional.com)

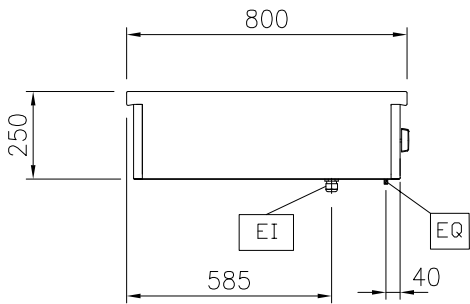


- Endrail kit, flush-fitting, right PNC 913110
- Endrail kit (12.5mm) for thermaline 80 units, left PNC 913200
- Endrail kit (12.5mm) for thermaline 80 units, right PNC 913201
- T-connection rail for back-to-back installations without backsplash PNC 913227
- Insert profile D=800mm PNC 913230
- Endrail kit, (12.5mm), for back-to-back installation, left PNC 913249
- Endrail kit, (12.5mm), for back-to-back installation, right PNC 913250
- Endrail kit, flush-fitting, for back-to-back installation, left PNC 913253
- Endrail kit, flush-fitting, for back-to-back installation, right PNC 913254
- Filter W=1000mm PNC 913666

Front

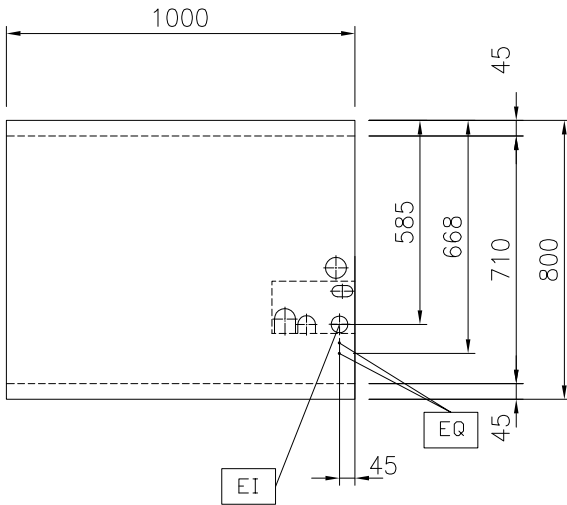


Side



EI = Electrical inlet (power)  
 EQ = Equipotential screw

Top



## Electric

### Supply voltage:

588096 (MARBAAJOBO) 230 V/1N ph/50/60 Hz

### Total Watts:

0.95 kW

## Key Information:

**Configuration:** One-Side Operated;Top

**Front Plates Power:** 0 - 0 kW

### Front Plates dimensions:

**External dimensions, Width:** 1000 mm

**External dimensions, Depth:** 800 mm

**External dimensions, Height:** 250 mm

**Net weight:** 38 kg

## Sustainability

**Current consumption:** 4.13 Amps